

Hi5 HD-SDI/SDI To HDMI Video and Audio Converter User Manual



HDMI[™]
HIGH DEFINITION MULTIMEDIA INTERFACE

AJA[®]
VIDEO SYSTEMS

December 17, 2008 P/N 101663-01
For Hi5 Serial Number 13899 or Later

Trademarks

AJA®, KONA®, and XENA® are registered trademarks of AJA Video, Inc. Io HD™ and Io™ are trademarks of AJA Video, Inc. HDMI, the HDMI logo and High-Definition Multimedia Interface are trademarks or registered trademarks of HDMI Licensing LLC. DVI is a registered trademark of DDWG. All other trademarks are the property of their respective holders.

Notice

Copyright © 2008 AJA Video, Inc. All rights reserved. All information in this manual is subject to change without notice. No part of the document may be reproduced or transmitted in any form, or by any means, electronic or mechanical, including photocopying or recording, without the express written permission of AJA Inc.

FCC Emission Information

This equipment has been tested and found to comply with the limits for a Class A digital device, pursuant to Part 15 of the FCC Rules. These limits are designed to provide reasonable protection against harmful interference when the equipment is operated in a commercial environment. This equipment generates, uses and can radiate radio frequency energy and, if not installed and used in accordance with the instruction manual, may cause harmful interference to radio communications. Operation of this equipment in a residential area is likely to cause harmful interference in which case the user will be required to correct the interference at his own expense. Changes or modifications not expressly approved by AJA Video can effect emission compliance and could void the user's authority to operate this equipment.

Contacting Support

To contact AJA Video for sales or support, use any of the following methods:

443 Crown Point Circle, Grass Valley, CA. 95945 USA

Telephone: 800.251.4224 or 530.274.2048

Fax: 530.274.9442

Web: <http://www.aja.com>

Support Email: support@aja.com

Sales Email: sales@aja.com

When calling for support, have all information at hand prior to calling.

Limited Warranty

AJA Video warrants that this product will be free from defects in materials and workmanship for a period of five years from the date of purchase. If a product proves to be defective during this warranty period, AJA Video, at its option, will either repair the defective product without charge for parts and labor, or will provide a replacement in exchange for the defective product.

In order to obtain service under this warranty, you the Customer, must notify AJA Video of the defect before the expiration of the warranty period and make suitable arrangements for the performance of service. The Customer shall be responsible for packaging and shipping the defective product to a designated service center nominated by AJA Video, with shipping charges prepaid. AJA Video shall pay for the return of the product to the Customer if the shipment is to a location within the country in which the AJA Video service center is located. Customer shall be responsible for paying all shipping charges, insurance, duties, taxes, and any other charges for products returned to any other locations.

This warranty shall not apply to any defect, failure or damage caused by improper use or improper or inadequate maintenance and care. AJA Video shall not be obligated to furnish service under this warranty a) to repair damage resulting from attempts by personnel other than AJA Video representatives to install, repair or service the product, b) to repair damage resulting from improper use or connection to incompatible equipment, c) to repair any damage or malfunction caused by the use of non-AJA Video parts or supplies, or d) to service a product that has been modified or integrated with other products when the effect of such a modification or integration increases the time or difficulty of servicing the product.

THIS WARRANTY IS GIVEN BY AJA VIDEO IN LIEU OF ANY OTHER WARRANTIES, EXPRESS OR IMPLIED. AJA VIDEO AND ITS VENDORS DISCLAIM ANY IMPLIED WARRANTIES OF MERCHANTABILITY OR FITNESS FOR A PARTICULAR PURPOSE. AJA VIDEO'S RESPONSIBILITY TO REPAIR OR REPLACE DEFECTIVE PRODUCTS IS THE WHOLE AND EXCLUSIVE REMEDY PROVIDED TO THE CUSTOMER FOR ANY INDIRECT, SPECIAL, INCIDENTAL OR CONSEQUENTIAL DAMAGES IRRESPECTIVE OF WHETHER AJA VIDEO OR THE VENDOR HAS ADVANCE NOTICE OF THE POSSIBILITY OF SUCH DAMAGES.

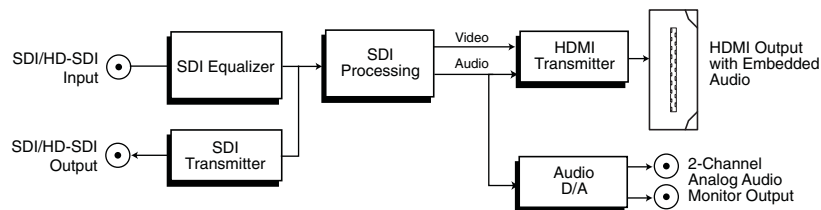
Introduction

The Hi5 converts SDI or HD-SDI to HDMI for driving HDMI monitors. Embedded SDI/HD-SDI audio is supported in the HDMI output allowing a convenient single cable audio/video connection. The Hi5 provides 2 Channel RCA style audio outputs for separate audio monitoring if needed. The Hi5 also provides a looping SDI/HD-SDI output useful for connecting additional equipment, or for “daisy chaining” multiple monitors to the same SDI-HD-SDI source.

Features

- SDI/HD-SDI to HDMI
- Full HDMI support including 10-bit video and 8 channels of embedded audio
- Additional 2 Channel RCA jack audio output (channels 1 and 2)
- Equalized Looping SDI/HD-SDI output
- HDMI cable supplied
- Uses 5V power (supply sold separately)
- No configuration necessary

Block Diagram



Hi5 Converter, Simplified Block Diagram

I/O Connections



Hi5 Converter

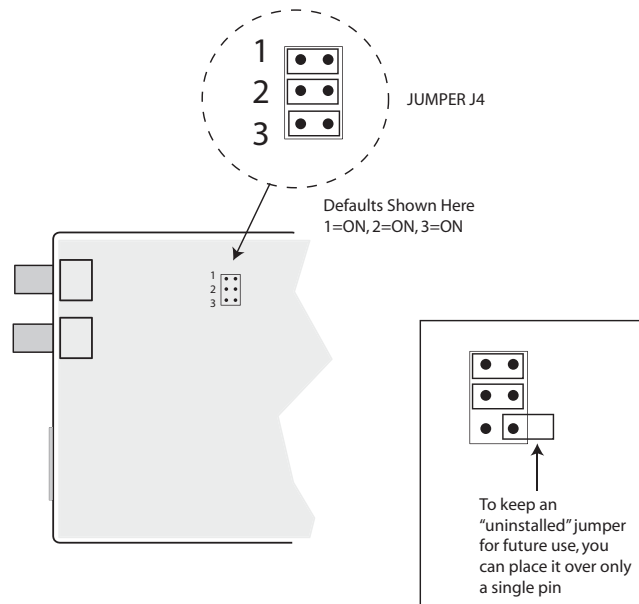
User Controls

An internal Jumper block with 3 jumpers (J4) provides controls for HDMI audio, output mode, and 8- or 10-bit video selection. Each of these settings are described below.

Internal Jumper

Jumper #1 (default = installed)	Jumper #2 (default = installed)	Jumper #3 (default = installed)
<p><i>Installed (default)</i> = 8-bit RGB 4:4:4 HDMI Video</p> <p><i>Removed</i> = 10-bit YCbCr 4:2:2 HDMI Video</p>	<p><i>Installed (default)</i> = HDMI output mode</p> <p><i>Removed</i> = DVI output mode</p> <p>DVI mode should be used only with DVI-only monitors. Note that most DVI monitors do not work with video rates. Embedded audio is not supported in DVI mode.</p>	<p><i>Installed (default)</i> = 2-channel HDMI audio</p> <p><i>Removed</i> = 8-channel HDMI audio</p> <p>The jumper selects whether 2 or 8 channels of audio will be embedded onto the HDMI output stream. Channels 1 and 2 will always appear on the RCA connectors, regardless of the jumper setting.</p> <p>When the jumper is set for 2-channel HDMI embedded audio, channels 1 and 2 are disembedded from SDI.</p> <p>When the jumper is set for 8-channel HDMI embedded audio, channels 1 through 8 are disembedded from SDI.</p>

To access this jumper, remove the four phillips screws securing the back side of the Hi5 case. Once the case cover is removed, locate the jumper block. Jumper positions 1 through 3 are clearly marked on the circuit board next to the jumper J4.



[Note: “Removed” jumpers can be stored inside the unit by installing them on only 1 pin

Installation

Typically, Hi5 installation consists of the following steps:

1. Ensure the Hi5 is disconnected from power.
2. Connect video equipment to the convertor BNCs and HDMI connector.
3. Connect audio equipment to RCA connectors (optional)
4. Apply +5VDC power to the converter (AJA power supply model DWP or DWP-U).

Specifications

Item	Specification
Input Formats	525i, 625i, 720p 50/59.94/60, 1080i 50/59.94/60, 1080p23.98, 1080p24, 1080p25, 1080p29.97, and 1080p30
Video Input	HD-SDI/SDI, SMPTE-259/274/292/296
Outputs	HDMI with embedded audio, 24-bit (selectable by internal jumper: 2 or 8 channels) Analog Audio—2 channel RCA-style outputs at -10dBV (nominal), Channel 1 and 2 1 Looping SDI/HD-SDI output of the SDI input (75 ohm, unterminated)

Item	Specification
HDMI	Standard Type A connector Video: 8-bit RGB 4:4:4 or 10-bit YCbCr 4:2:2 (selectable by internal jumper) Audio: 24-bit, with 2 or 8 embedded channels (selectable by internal jumper)
HDCP	The Hi5 does not encode the HDMI output with HDCP encryption. By definition, SDI/HD-SDI inputs to the Hi5 are unencrypted. The HDMI specification requires HDMI monitors to support unencrypted inputs.
Size	4.6" x 2.4" x 1" (117mm x 61mm x 25mm.)
Power	+5 VDC regulated, 3 watts (AJA power supply required: model DWP or DWP-U)